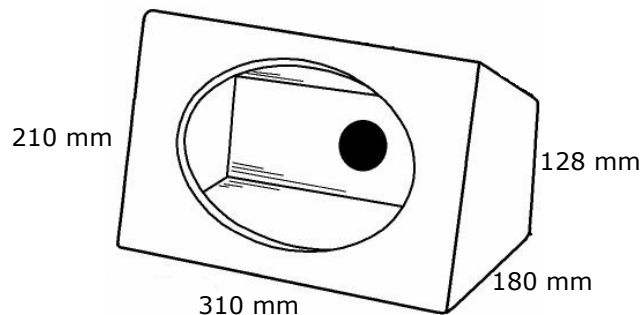


Installation

If you do not have sufficient experience or tools to carry out the installation, it is strongly advised that you seek the assistance of someone who does, or have the 6"x9" speakers installed by a professional.

The features of the 6"x9" enclosures are as follows:

- Trimmed with black carpet
- Sealed chamber design
- Push tab terminals
- Approx 0.32 ft³ volume each
- Constructed using 12mm MDF board
- For two matching 6"x9" speakers
- Internally pre-wired



Follow the installation instructions provided with the 6"x9" speakers for how to connect them to the head unit or amplifier and calibrate them.

Mounting the 6"x9" speakers to the boxes:

- First of all make sure that the sound source is switched off completely.
- Place one of the 6"x9" speakers into one of the boxes, and use a pen or pencil to mark on the box where the four mounting holes are.
- Remove the 6"x9" speaker from the box and use a very small drill bit to drill pilot holes at the four marked places on the box.
- Connect the speaker wire installed inside the box to the 6"x9" speaker terminals
- Ensure that the grille surround is on the speaker if wanting to replace the grille after installation.
- Place the 6"x9" speaker into the box and use four self tapping screws of a slightly larger diameter than the pre-drilled holes to secure the speaker in place.
- Push on the 6"x9" speaker grille if required.
- Repeat the above process for the other 6"x9" speaker and box.

Mounting the boxes to the vehicle parcel shelf/similar location:

This can be done in a number of ways, either before or after mounting the speakers. For the safety of the speakers, it is probably best to mount the boxes to the vehicle before mounting the speakers to the boxes.

- The most obvious way of mounting would be to use self tapping screws from underneath the parcel shelf, through the parcel shelf and into the box. Two or three would be sufficient per box. A pilot hole does need to be drilled first.
- Another way of mounting the boxes would be to use "carpet to floor tape" available from a DIY/hardware shop. This is extremely strong double sided tape.

Connecting the speaker cable to the boxes:

For aesthetics it may be best to drill a hole through the parcel shelf close to the rear of each of the speaker boxes, to feed the speaker cable through to the push fit terminals on the boxes. Push the tab and place the stripped end of the speaker cable into the hole and release.